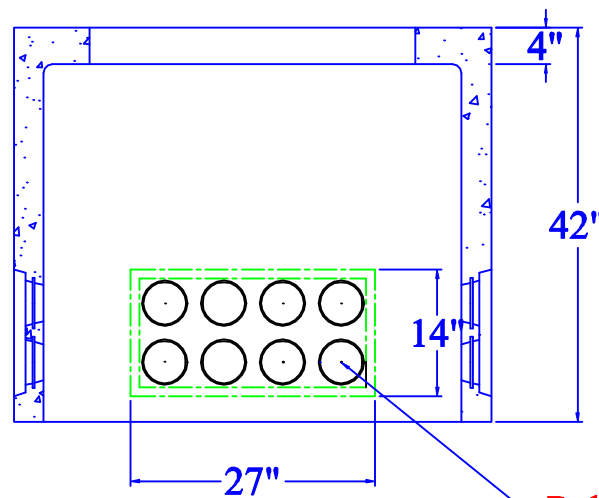


Plan View



Section A-A

Polyloc Pipe Seals (32)

**Notes:**

1. Concrete 32 Mpa - Air 5-7%
2. Reinforced with 10m Rebar
3. Approx. weight 900 kgs.

**K-Bar Switch  
Connection Box**  
(w/ Polyloc seals)

**Acton Precast Concrete Limited**