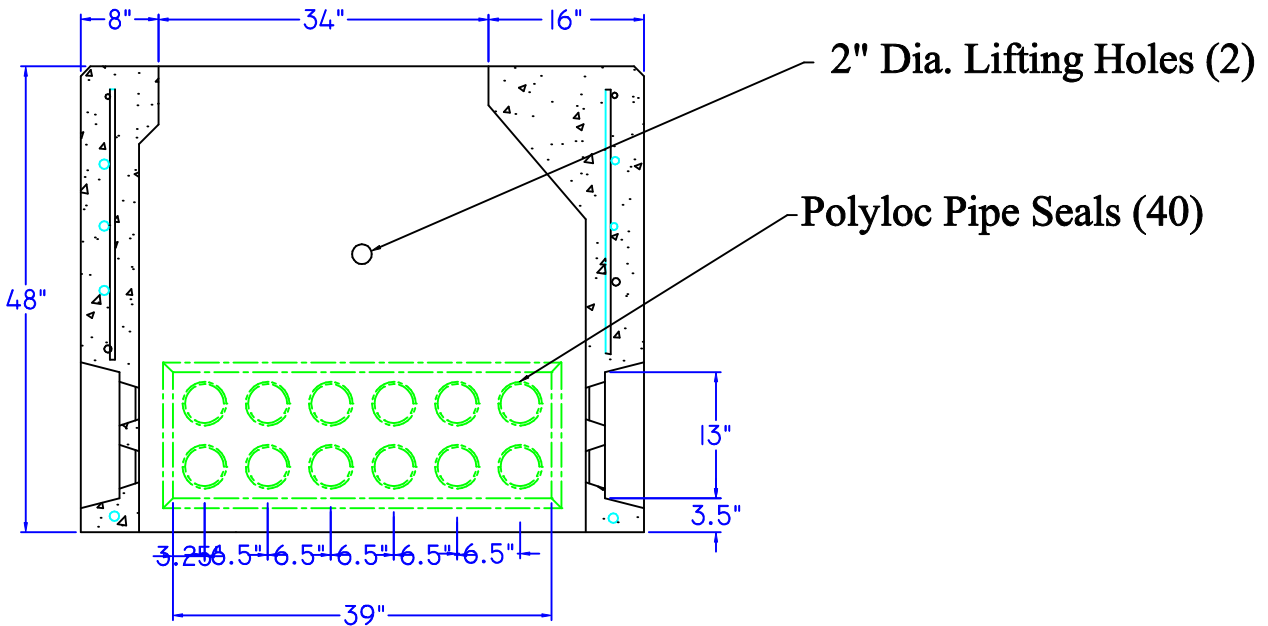


**PLAN VIEW**



**SECTION A-A**

**NOTES:**

1. Concrete : 32 Mpa min. - Air 5-7%
2. Reinforced with 10m rebar
3. Approximate weight 4550 lbs.

**LP58XP**

**LOW PROFILE TRANSFORMER BASE**

**Acton Precast Concrete Limited**