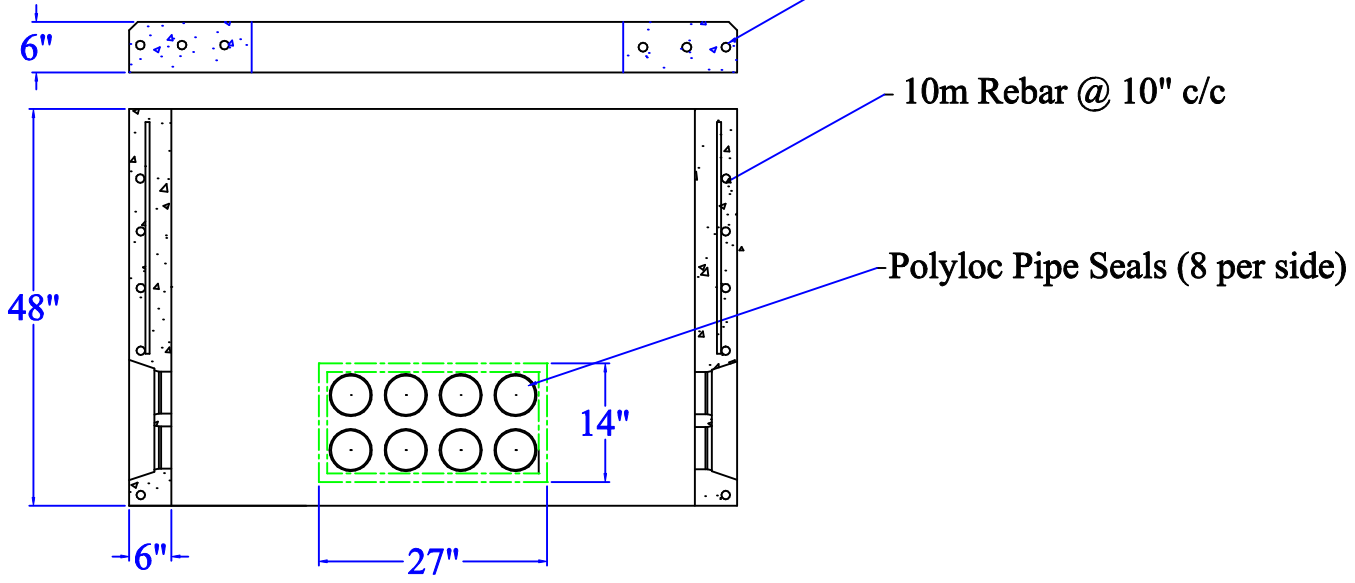


**Plan View**



**Section A-A**

**Notes:**

1. Concrete 32 Mpa min. Air 5-7%
2. Approx. weight 4000 kg.
3. Top pad thickness can be increased if ness.
4. Unit can be set in place by Acton Precast truck if site is ready at time of delivery.

**B7272P & P7272**  
**3 Phase Transformer Base and Pad**

**Acton Precast Concrete Limited**