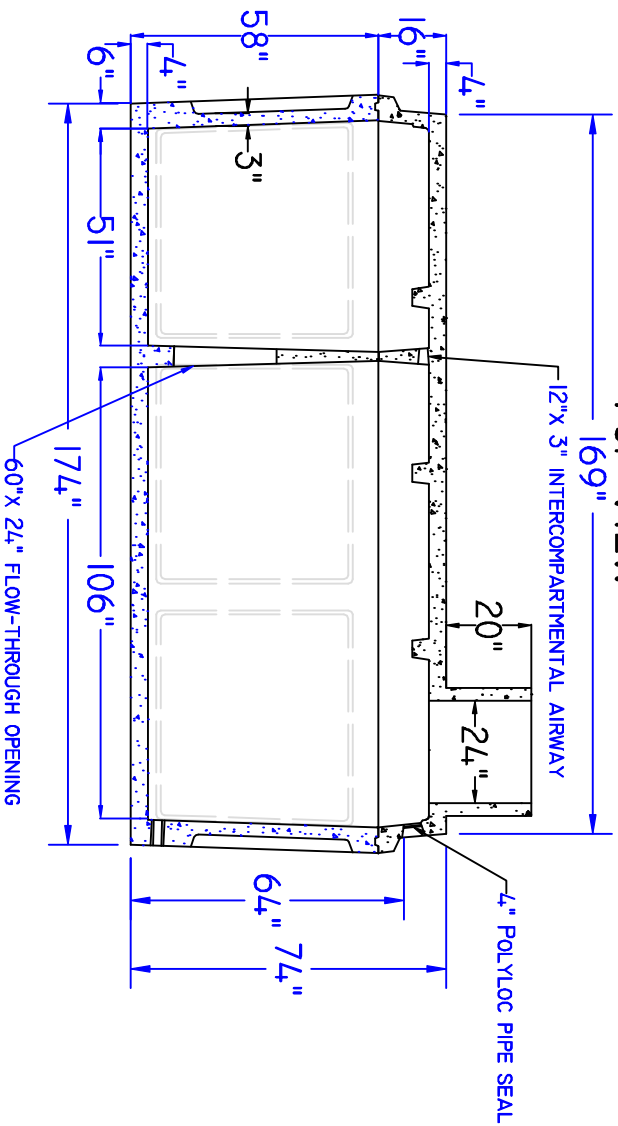
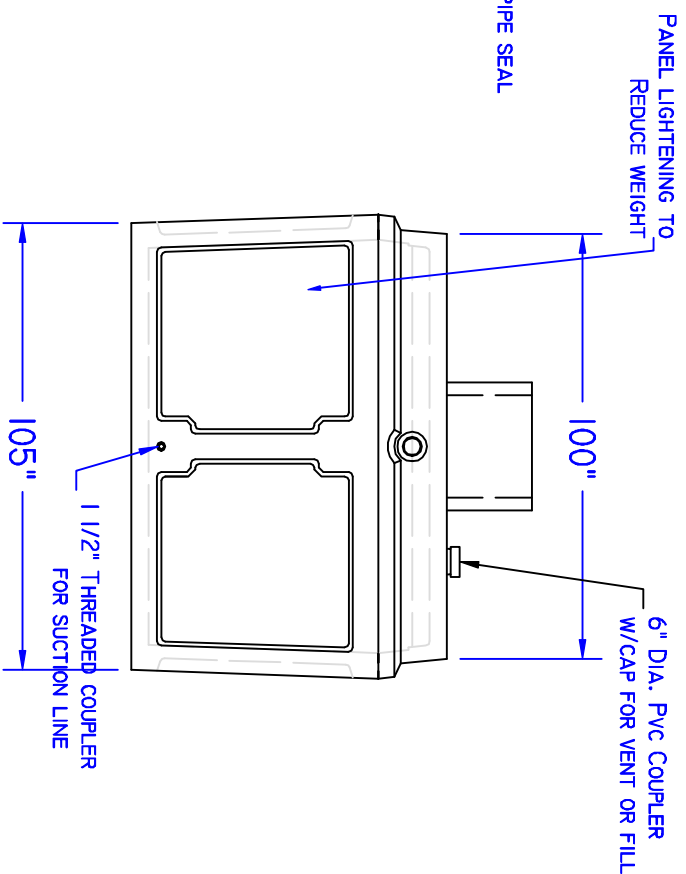


**TOP VIEW**



**SECTION A-A**



**END VIEW**

**3500 Gal.(16000L) Holding Tank**

**Notes:**

1. Concrete - 32mpa, Air 5-7%
2. Rebar - 10m @ 12" c/c in floor and top. 15m @ 4" c/c in columns and beams.
3. Place on 8" of sand.
4. Approx. weight - 15,700 kgs.

**Acton Precast Concrete Ltd**  
**RR 2 Acton 1-800-461-1516**