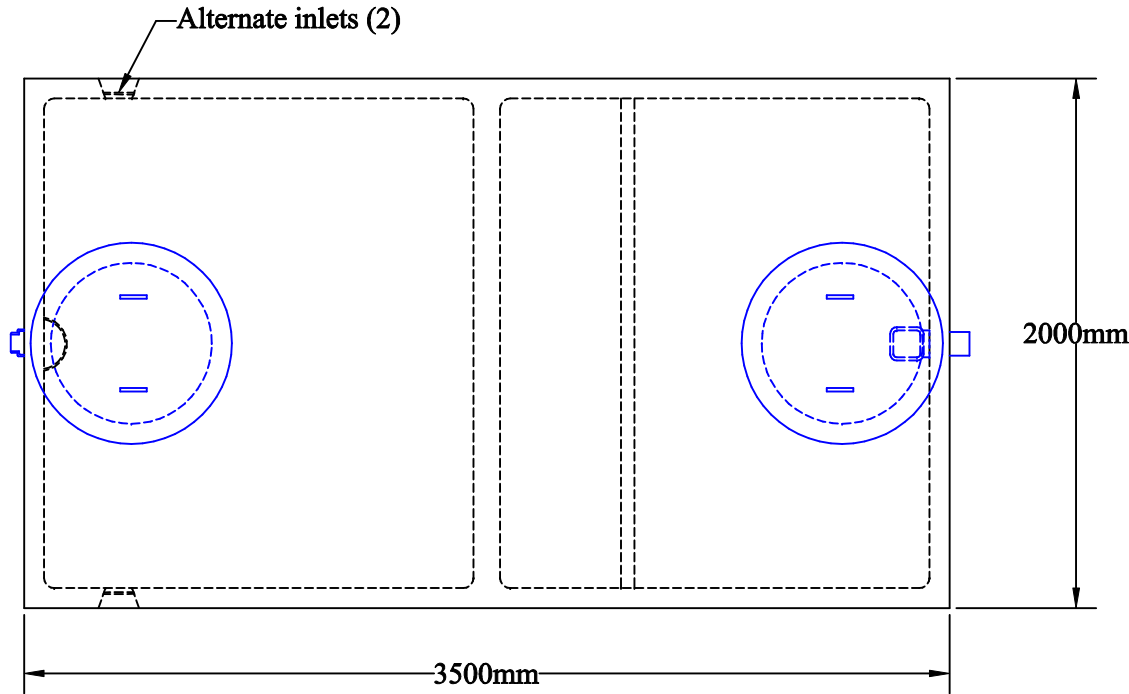


1600 Gal. (7200 L) Septic Tank

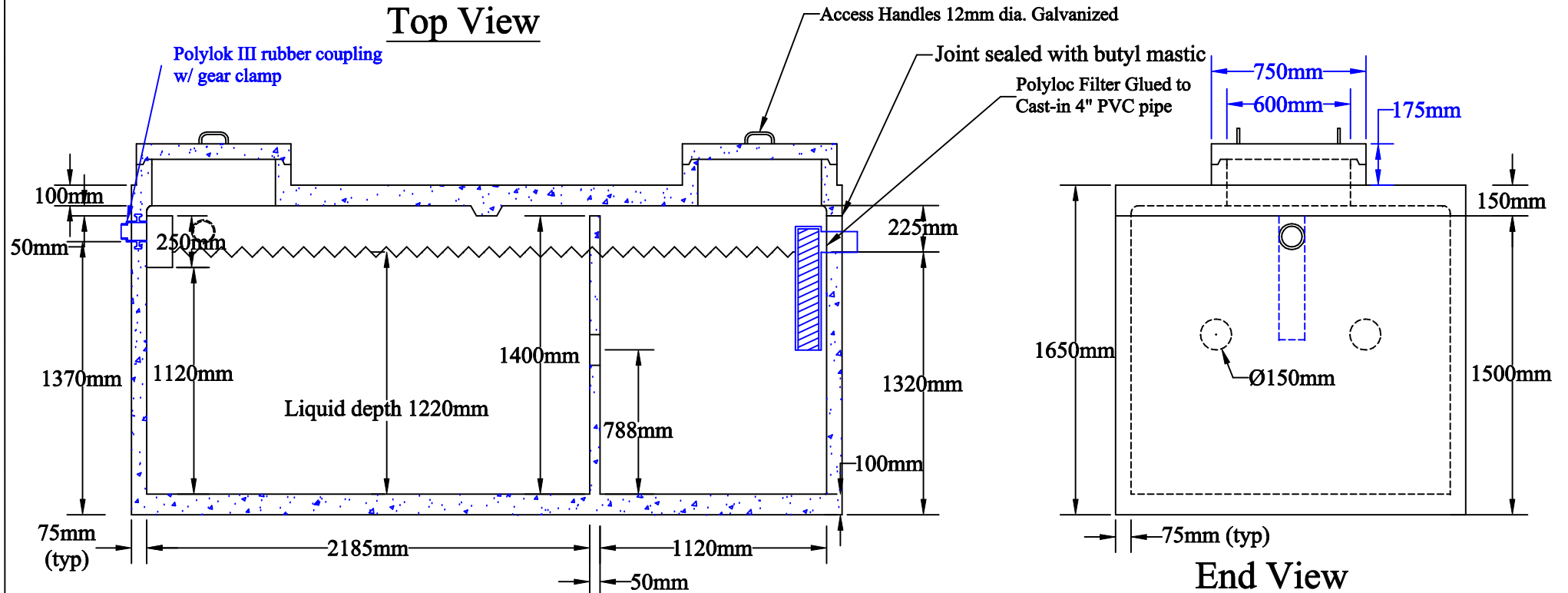
Notes:

1. Concrete: 32 mpa Air 5-7%
 2. Weight: 6525 kgs.
 3. Divider wall is monolithic cast.
 4. Maximum cover: 1.5 m
 5. Actual working capacity 7647 l
 6. Litres per vert metre = 6268
 7. For use in non-sulfate soils only
 8. Tank is lifted using external rigging
- Drawing Date: June 25, 2007

Acton Precast Concrete Limited
Acton Ont. 1-800-461-1516



Top View



Section

End View