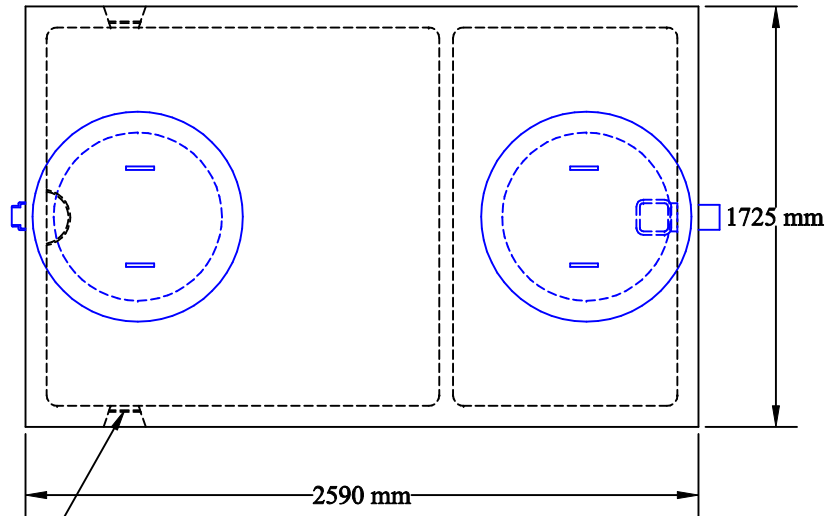


1000 Gal. (4500 L) Septic Tank

Notes:

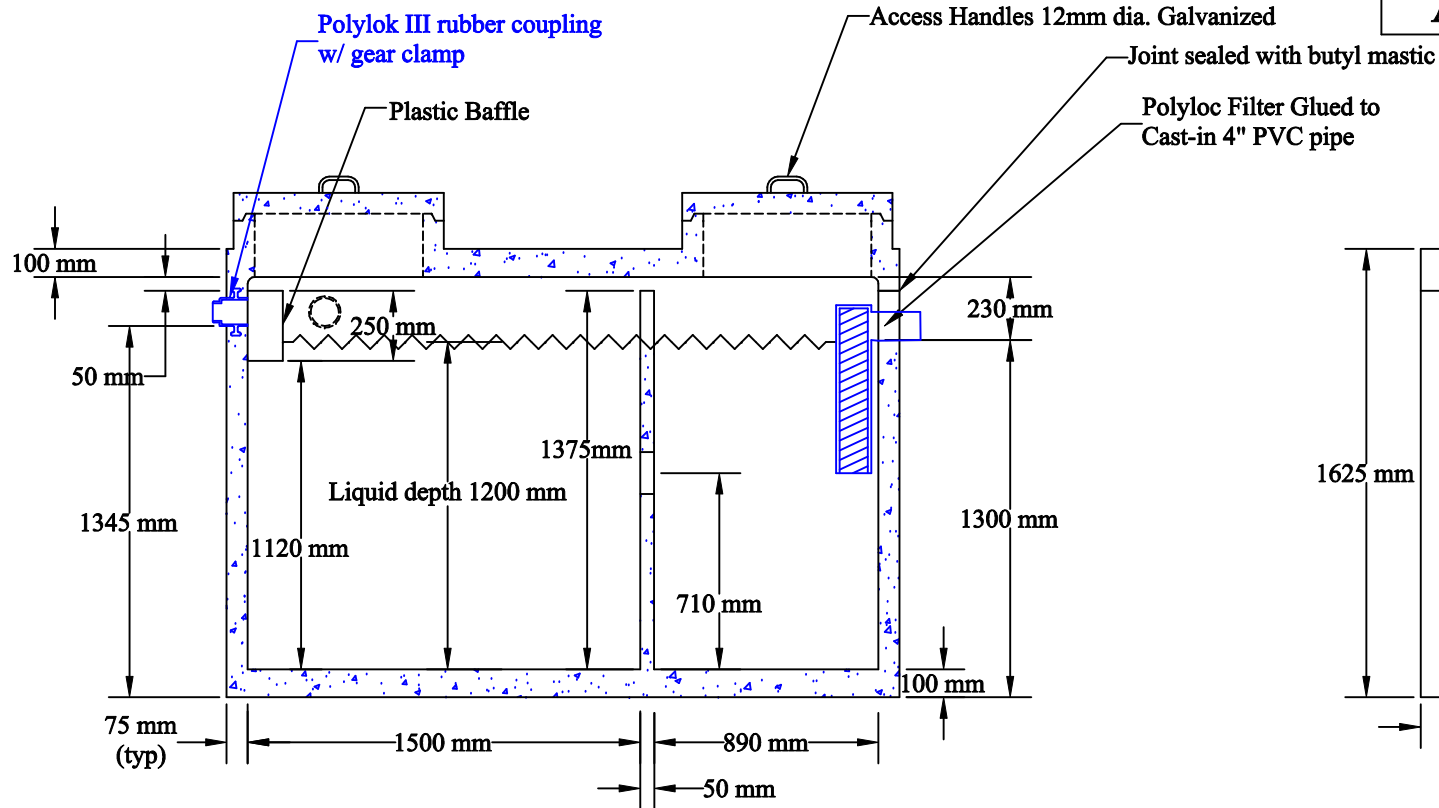
1. Concrete: 32 mpa Air 5-7%
 2. Approximate weight: 4630 kgs.
 3. Divider wall is monolithic cast.
 4. Maximum cover: 1.5 m
 5. Actual working capacity 4549 l
 6. Litre per vert. meter = 3850
 7. For use in non-sulfate soils only.
 8. Tank is lifted using external slings.
- Drawing Date: June 25, 2007

Acton Precast Concrete Limited
Acton Ont. 1-800-461-1516

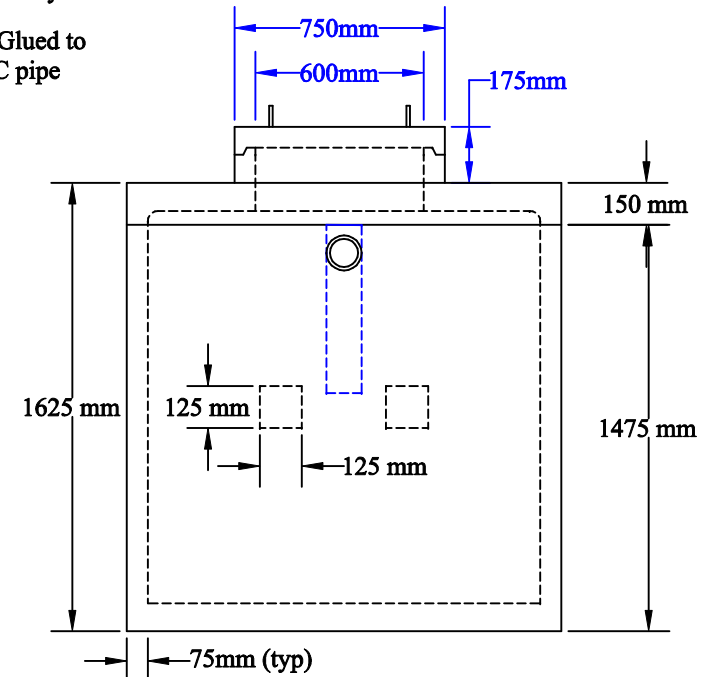


Top View

Alternate inlets (2)



Section



End View