

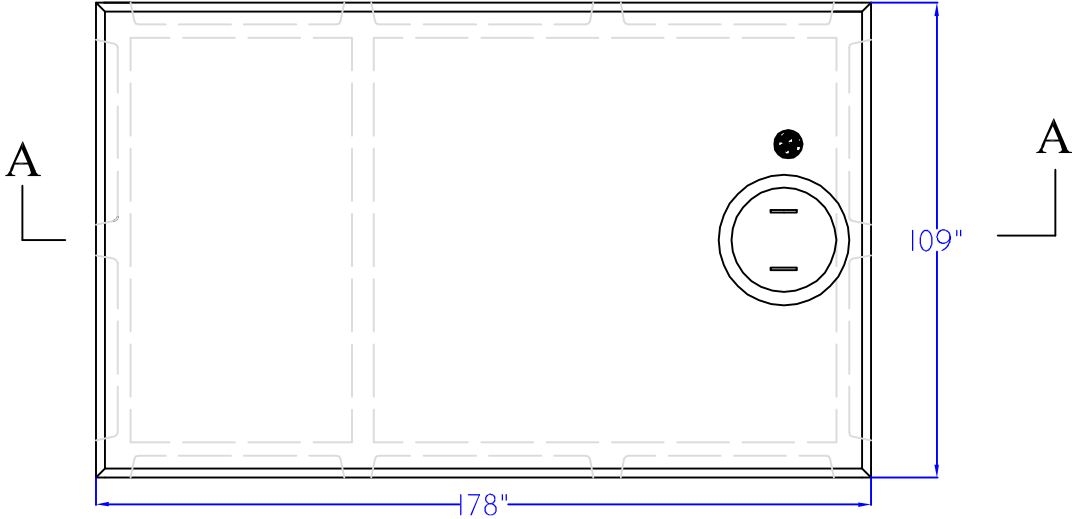
6000 Gal.(27,200L) Water Cistern

Notes:

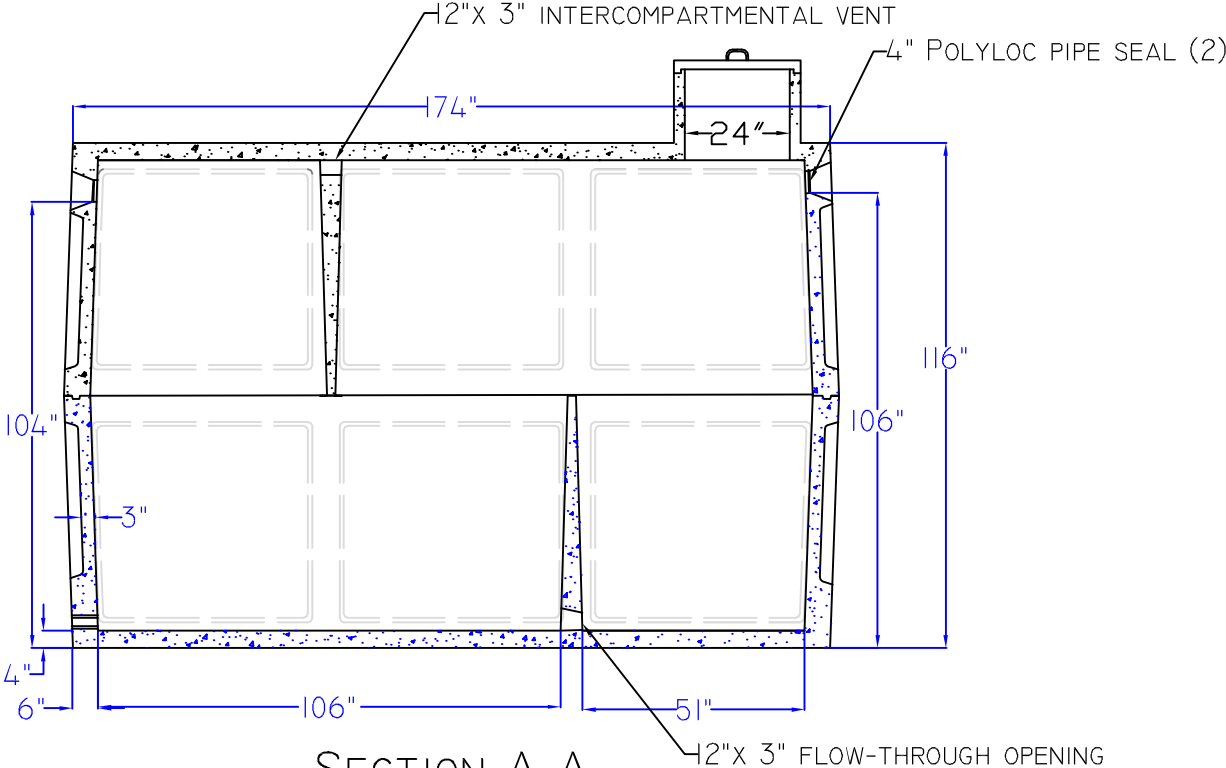
1. Concrete - 32 Mpa. Air 5-7%
2. Rebar - 15m @ 12" c/c in floor and top. 4" c/c in columns.
3. Joint sealed with butyl sealer.
4. Place on 8" of sand.
5. Approx. weight - 18000 kgs.

Acton Precast Concrete Limited

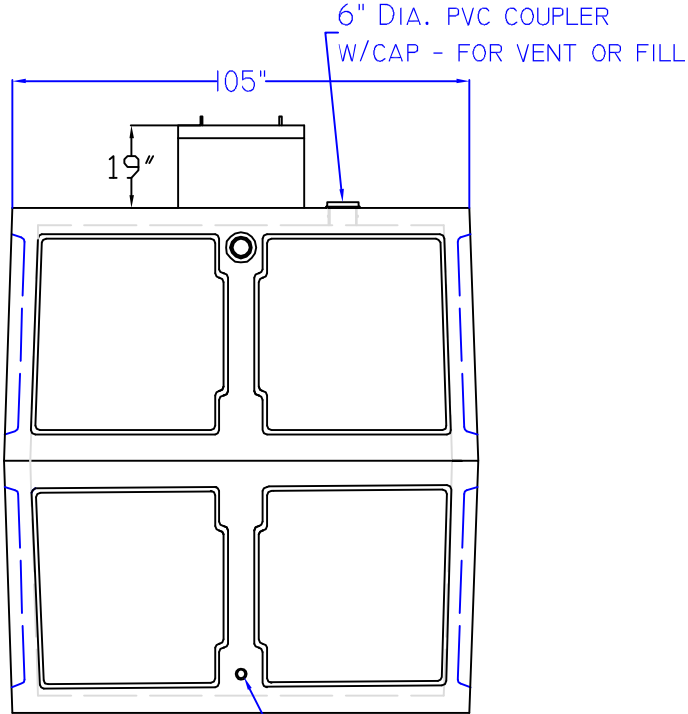
RR 2 Acton, Ont. L7J 2L8 1-800-461-1516



PLAN VIEW



SECTION A-A



END VIEW