

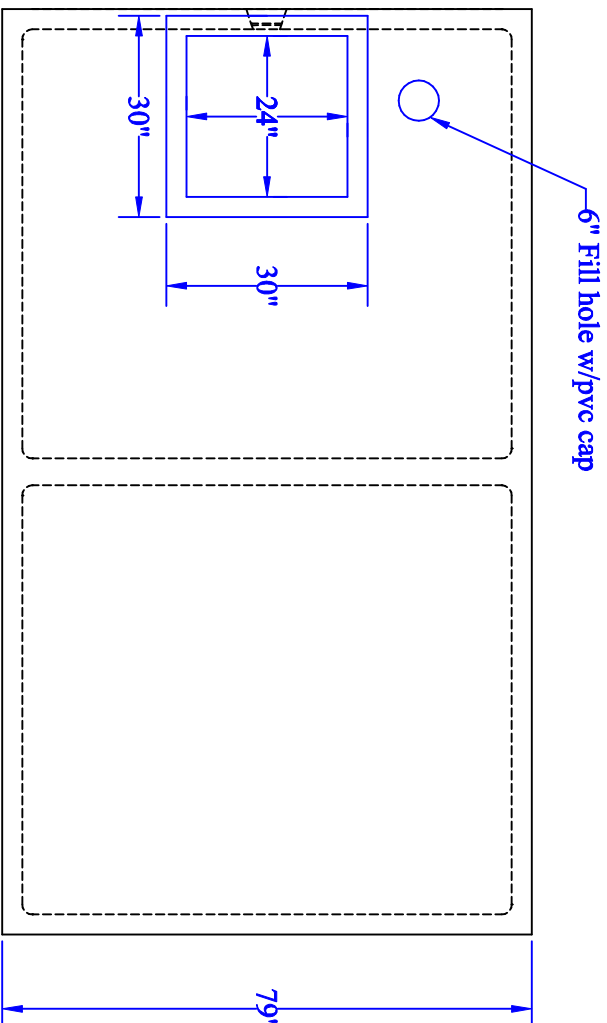
# 2000 Gal. (9100 L)

## Water Cistern

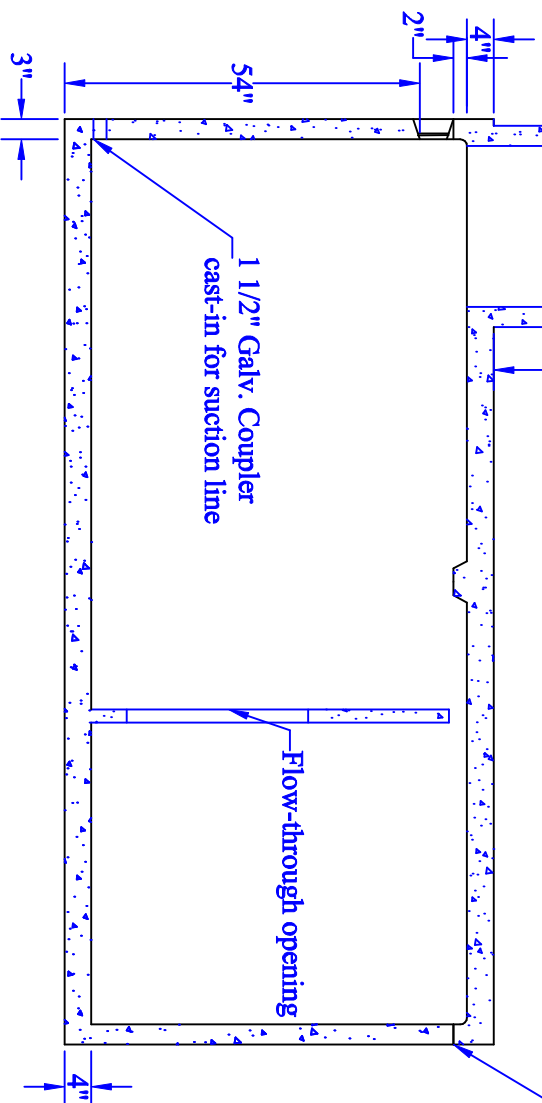
### Notes:

1. Concrete: 32 mpa Air 5-7%
  2. Weight: 14,000 lbs. (6350 kgs.)
  3. Maximum cover: 5 ft. (1.5 m)
- Drawing Date: June 02, 2003

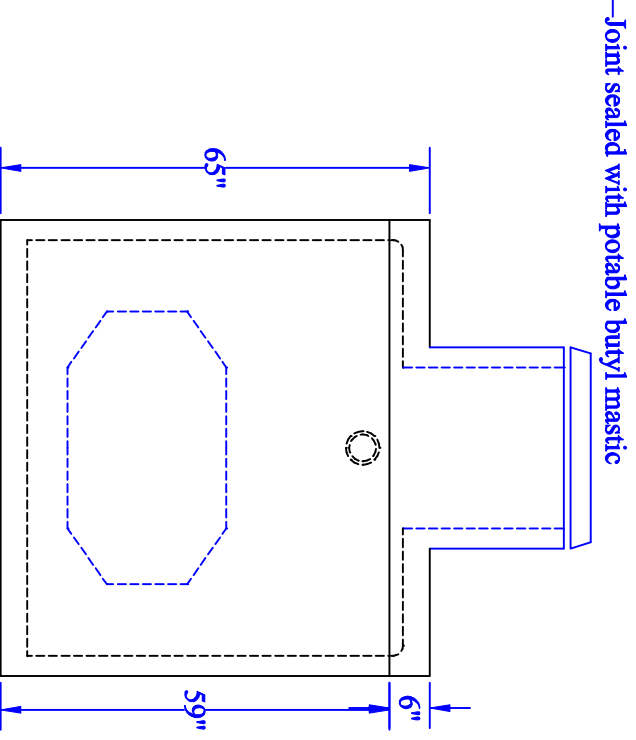
Acton Precast Concrete Limited  
Acton Ont. 1-800-461-1516



2.5"  
**Top View**



**Section**



**End View**